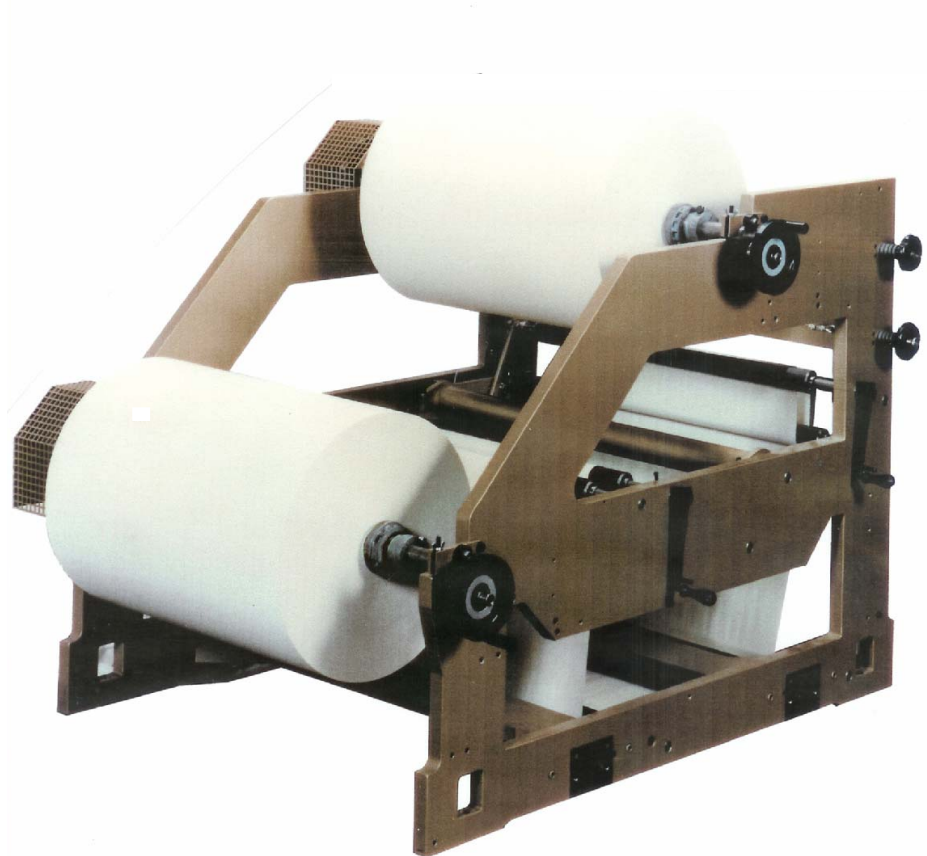


‡ -" 'Q °) -k ·
'o-k@ok\ 00u° V)



h° kuo#° u° Q 8'

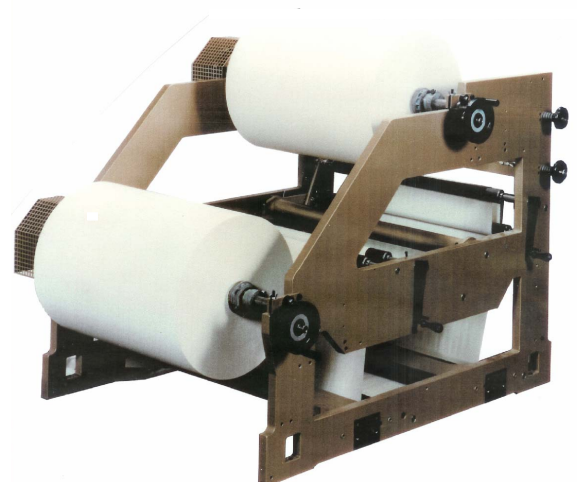
WebPress
Revolutionary™

parts@webpressllc.com
Phone: (253) 620-4747 | www.webpressllc.com | Fax: (253) 722-0378
P. O. Box 2274 | Tacoma, WA | 98401
701 East "D" Street | Tacoma, WA | 98421

WEB LEADER™ ROLLSTAND

Table of Contents

	Page
Web Leader Rollstand Main Frames	3-6
Parts List - 451000	
<i>Drawing, Sheet 1- Two Position Rollstand- Main Frames</i>	
Web Leader Rollstand Dancer Sub-Assembly	7-9
Parts List - 452000	
<i>Drawing, Sheet 2 – Two Position Rollstand- Dancer Assembly</i>	
Web Leader Rollstand Brake Tension System	10-12
Parts List - 453000	
<i>Drawing, Sheet 3 – Two Position Rollstand- Brake Tension</i>	
Web Leader Rollstand Guards	13-14
Parts Lists -	
Standard Brake Guard – 450000A	
CE Guards – 454000A / 455000C1	
CE Guards with Electric Brakes – 454000A1	
Option: Standard Brake Guard – 450000A	
Web Leader Fifth Position Rollstand	15-24
Parts Lists –	
5 th Position Rollstand – 455000	
Standard 5 th Position Rollstand – 455000D1	
<i>Drawing, Sheet 1-2 – Fifth Position Rollstand –Standard</i>	
Parts List – Optional 5HP Baldor Motor – 455000D2	
<i>Drawing, Sheet 1-2 – 5th Position 5HP Rollstand</i>	
Air Shafts, Hoists & Trolleys	26-34
Parts Lists –	
Option: Tidland Air Shaft – 45000F1	
Option: Harrington Hook, Hoist & Trolley – 450001G	



WebPress
Revolutionary™

Web Leader

Rollstand

Main Frames

**WEB LEADER ROLLSTAND
ROLLSTAND – MAIN FRAME 451000**

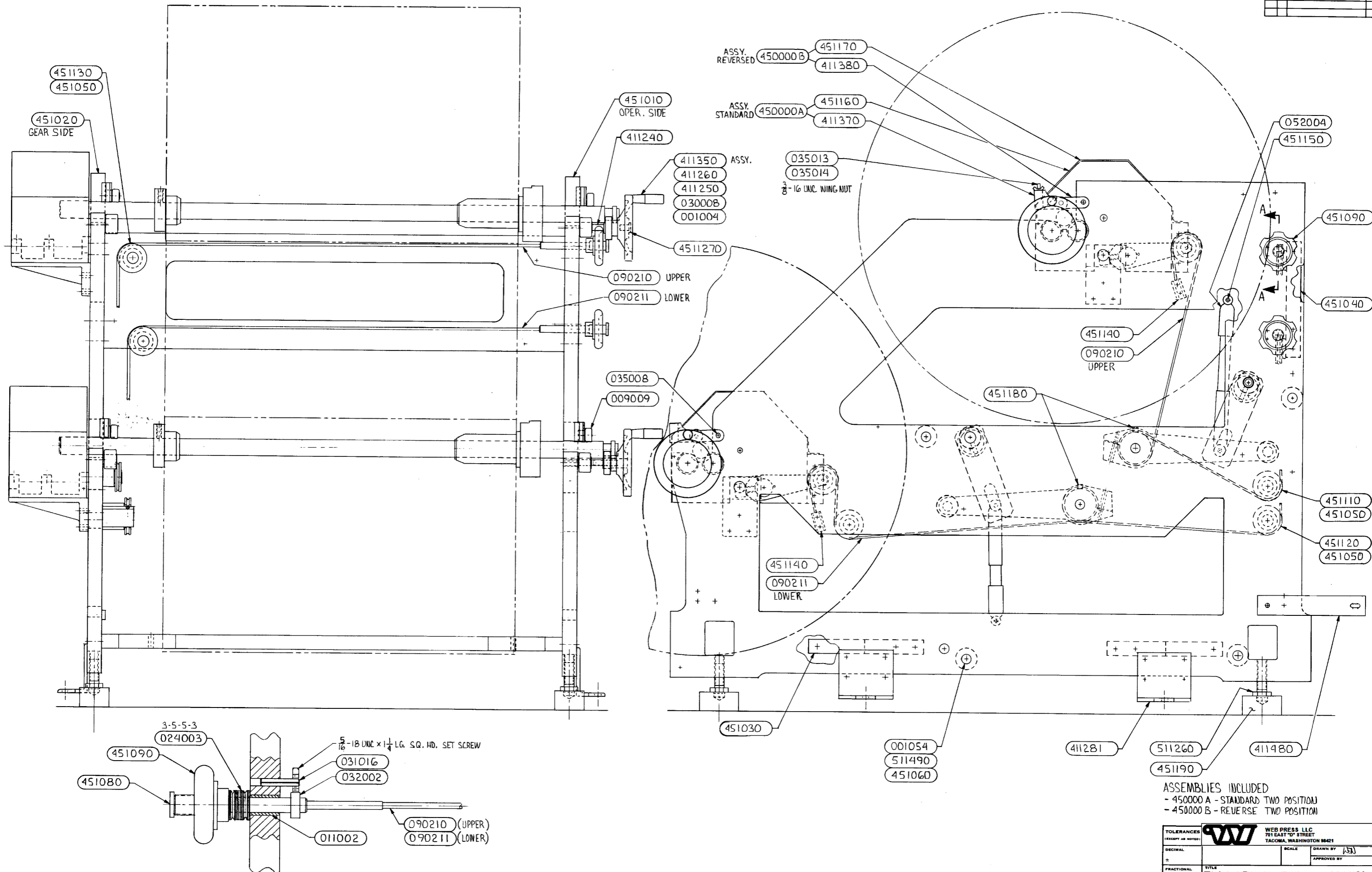
PART NO.	DESCRIPTION	QTY. REQ'D
411281	LAG BOLT MOUNTING	4
411350	HANDWHEEL SIDE ADJUSTMENT ASSEMBLY	2
411260	HANDWHEEL, SIDE ADJUSTMENT	2
411250	SIDE ADJUSTMENT HUB	2
001004	BEARING, 1.1811 ID X 2.4409 OD	2
030008	SNAP RING 1.098 SD	2
411480	ROLLSTAND TIE PLATE	2
451180	CABLE CLAMP	2
511260	LEVELING BOLT	4
511490	ROLLER CORE	6
090114	SERIAL NUMBER IDENTIFICATION PLATE	1
451010	SIDE FRAME, OPERATOR SIDE	1
071000	SIDE FRAME, ROLLSTAND	1
451020	SIDE FRAME, GEAR SIDE	1
071000	SIDE FRAME, ROLLSTAND	1
451030	STIFFENER, LOWER	2
071010	STIFFENER, ROLLSTAND	2
451040	STIFFENER, UPPER	1
071070	STIFFENER, ROLLSTAND UPPER	1
451050	WIRE ROPE PULLEY	7
009010	CAM FOLLOWER 1-1/4: OD	7
451060	STIFFENER SHAFT	6
451070	THROW-OFF SHAFT	2
451080	TENSION ROD ADJUSTMENT	2
451090	HANDWHEEL, TENSION ADJUSTMENT	2
451190	ROLLSTAND PADS	4
451110	SPACER, UPPER BRAKE PULLEY	1
451120	SPACER, LOWER BRAKE PULLEY	2
451130	SPACER, PULLEY	2
451140	BRAKE LEVER CABLE BLOCK	2

**WEB LEADER ROLLSTAND
ROLLSTAND – MAIN FRAME 451000**

CONTINUED

PART NO.	DESCRIPTION	QTY. REQ'D
451150	SHOCK ABSORBER SPACER	4
001054	BEARING ER-16X	12
009008	CAM YOKE FOLLOWER 2" OD	8
009009	CAM YOKE FOLLOWER -3/8" OD	4
011002	OILITE BUSHING 3/4 X 1 X 1-1/2	2
011045	OILITE BUSHING 1 X 1-1/4 X 1-1/2	6
024003	WASHER, 1-1/2 X 3/4 X .045 THICK	72
030005	SNAP RING, 3/4 EXTERNAL	2
031016	ROLL PIN 3/8" X 3"	4
032002	SET COLLAR, 3/4" X 1-1/4"	2
032003	SET COLLAR, 1" X 1-5/8"	4
035008	SHOULDER SCREW, 1/2" X 5/8"	4
035013	SWING BOLT, 3/8-16 X 3-3/4"	4
035014	SHOULDER SCREW, 3/8 X 3/8	4
035022	SHOULDER SCREW, 1/2 X 1-1/2	2
052004	SHOCK ABSORBER	2
090211	LOWER CABLE ASSEMBLY	1
090210	UPPER CABLE ASSEMBLY	1
411230	ECCENTRIC STUD	6
411240	SIDE ADJUST STUD	2
411270	SIDE ADJUST STOP	2

DATE	BY	REVISION	RECORD	DR.	CHK.



ASSEMBLIES INCLUDED
 - 450000 A - STANDARD TWO POSITION
 - 450000 B - REVERSE TWO POSITION

TOLERANCES (EXCEPT AS NOTED)		WEB PRESS LLC 701 EAST "D" STREET TACOMA, WASHINGTON 98421	
DECIMAL	±	SCALE	DRAWN BY (JSA)
FRACTIONAL	±	TITLE	APPROVED BY
ANGULAR	±	DATE	DRAWING NUMBER
		3-29-93	SHT 1 of 3
		450000-451000	



Web Leader

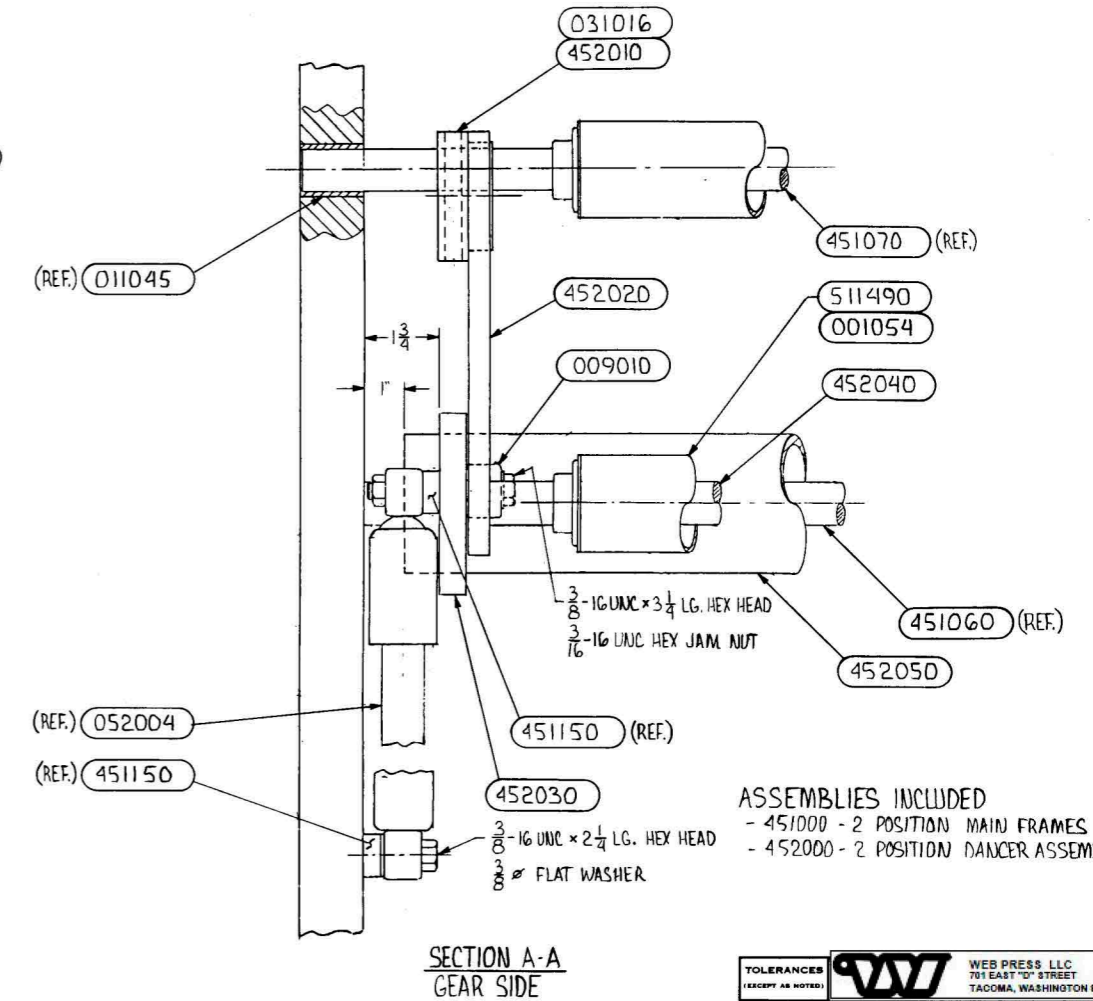
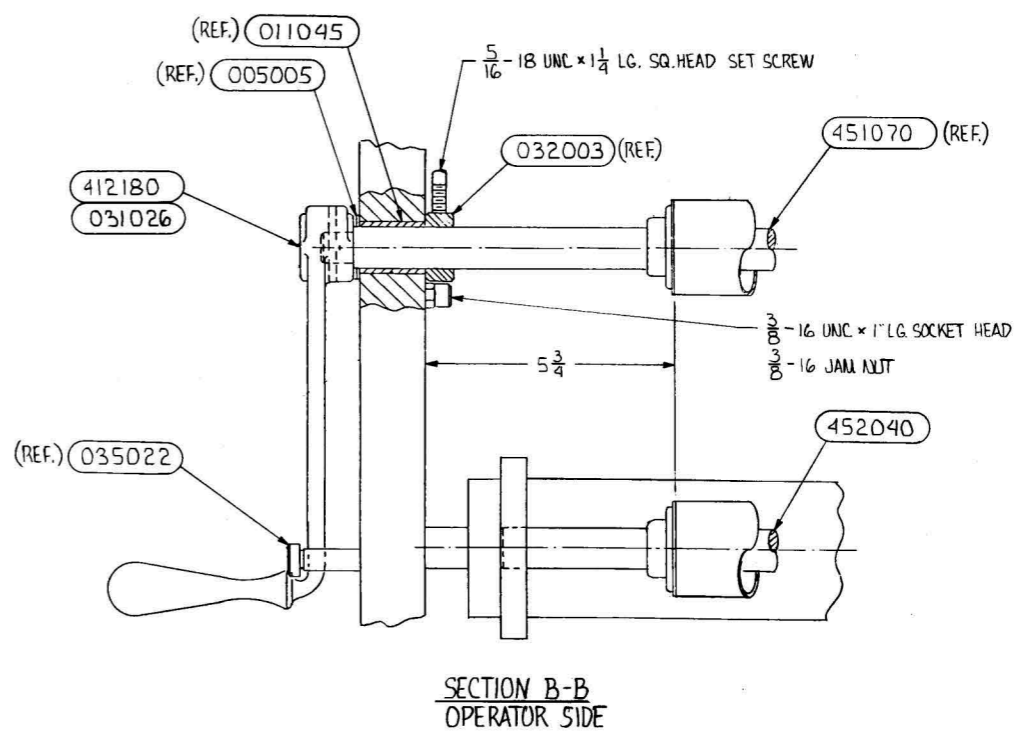
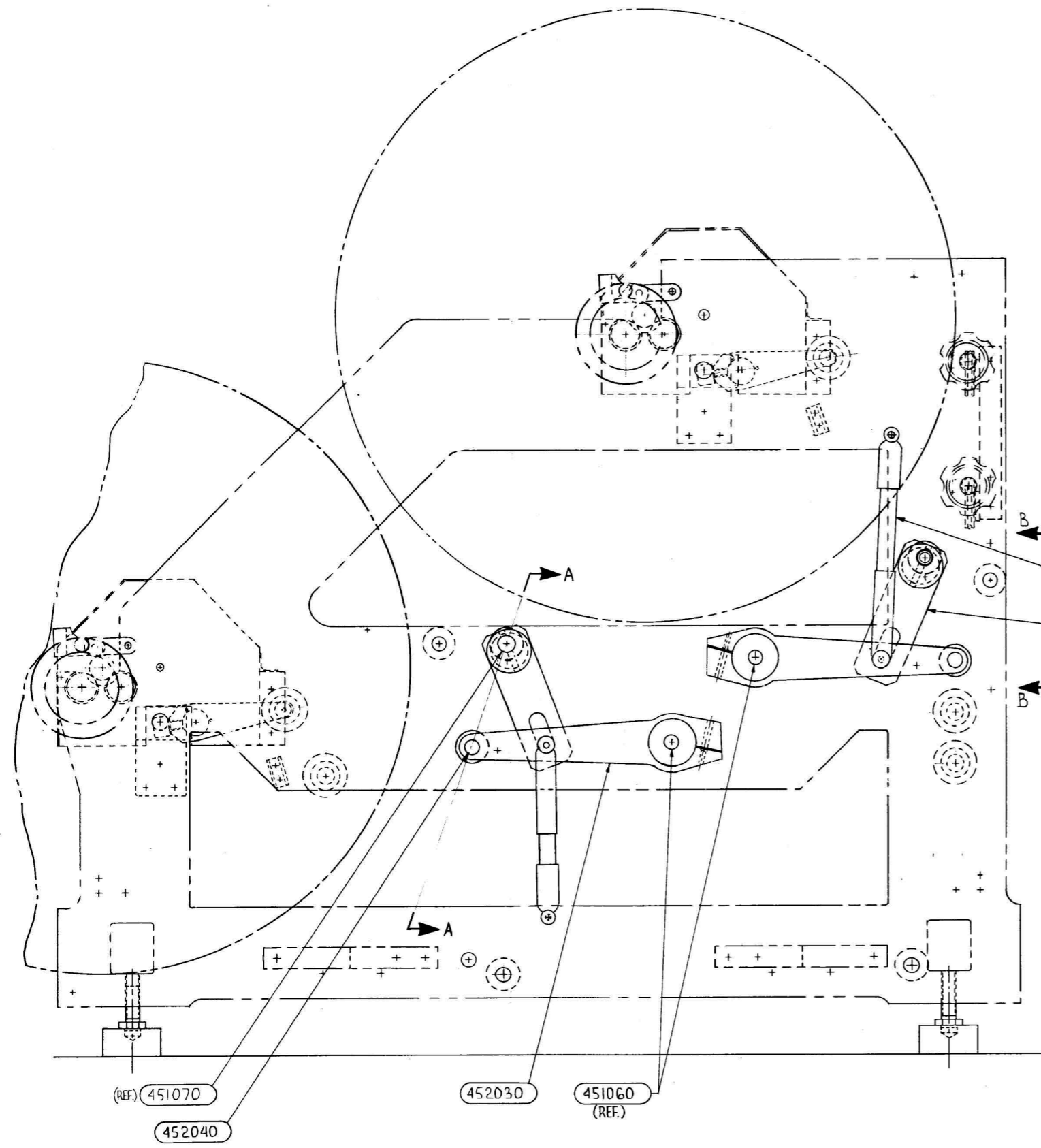
Dancer

Sub-Assembly

**WEB LEADER ROLLSTAND
ROLLSTAND – DANCER SUB-ASSEMBLY 452000**

PART NO.	DESCRIPTION	QTY. REQ'D
412180	DANCER THROW-OFF HANDLE	2
511490	ROLLER CORE	2
452010	ECCENTRIC THROW-OFF	2
452020	THROW-OFF LINK	2
452030	DANCER ROLL ARM	4
452040	STIFFENER DANCER ROLL SHAFT	2
452050	DANCER ROLLER ASSEMBLY	2
001054	BEARING, ER-16X	4
001001	BEARING, ER-16	4
009010	CAM FOLLOWER 1-1/4" OD	2
031016	ROLL PIN 3/8" X 3"	2
031026	ROLL PIN 3/16" X 1-1/2"	2

DATE	BY	REVISION RECORD	DR.	CHK.



TOLERANCES (EXCEPT AS NOTED)		WEB PRESS LLC 701 EAST 10 TH STREET TACOMA, WASHINGTON 98421	
DECIMAL	±	SCALE	DRAWN BY (LBN)
FRACTIONAL	±	TITLE	TWO POSITION R.S. - DANCER ASSY.
ANGULAR	±	DATE	3-24-93
		DRAWING NUMBER	SHT. 2 of 3 450000 - 452000

WebPress
Revolutionary™

Web Leader

Rollstand

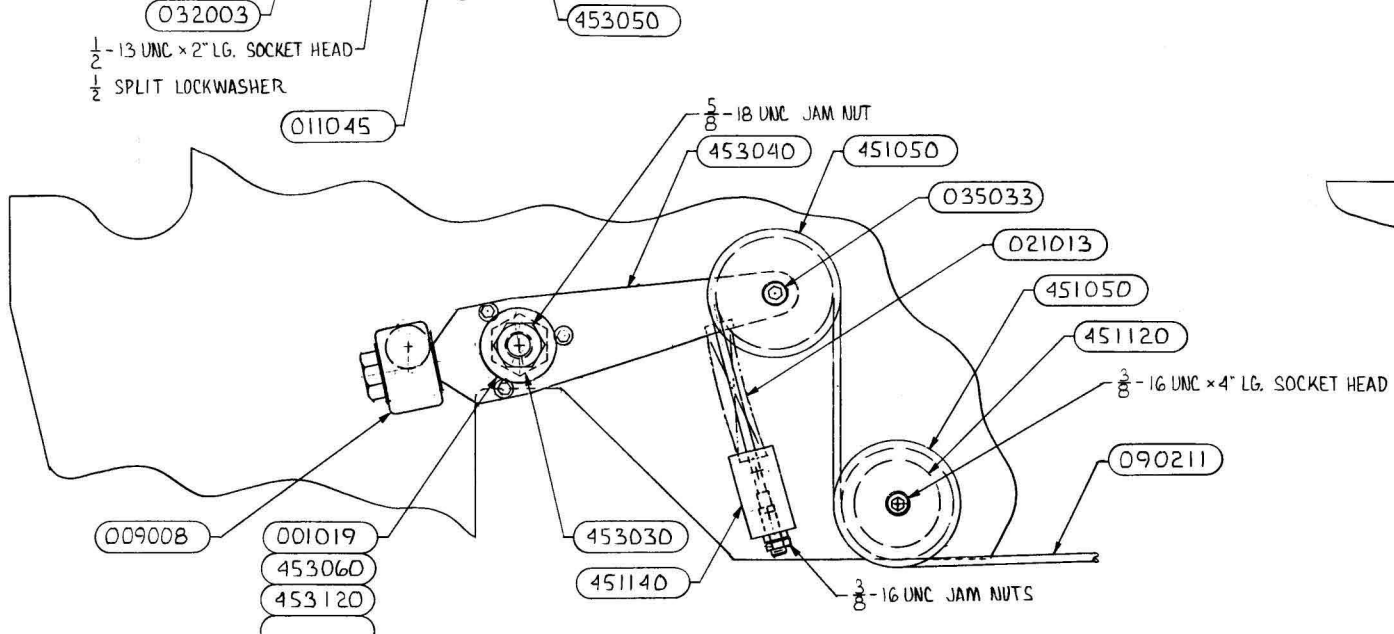
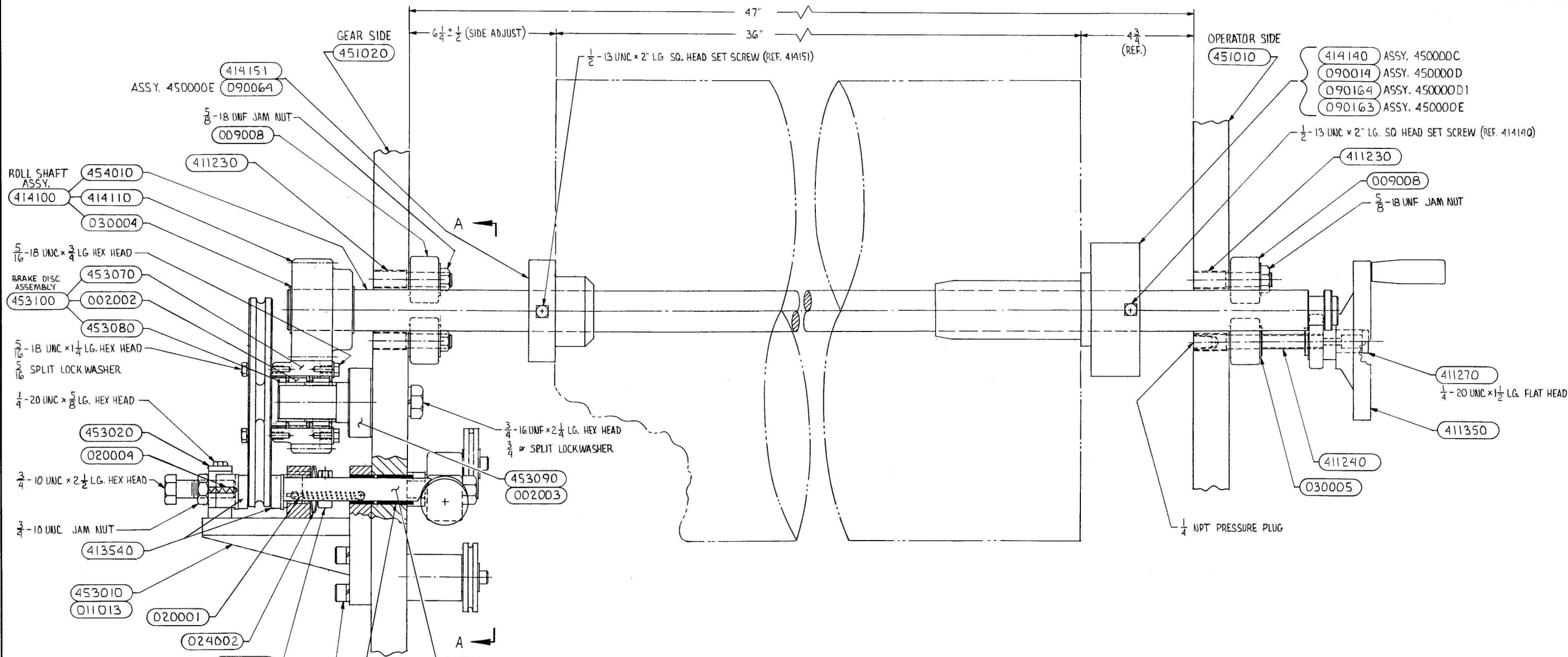
Brake Tension

System

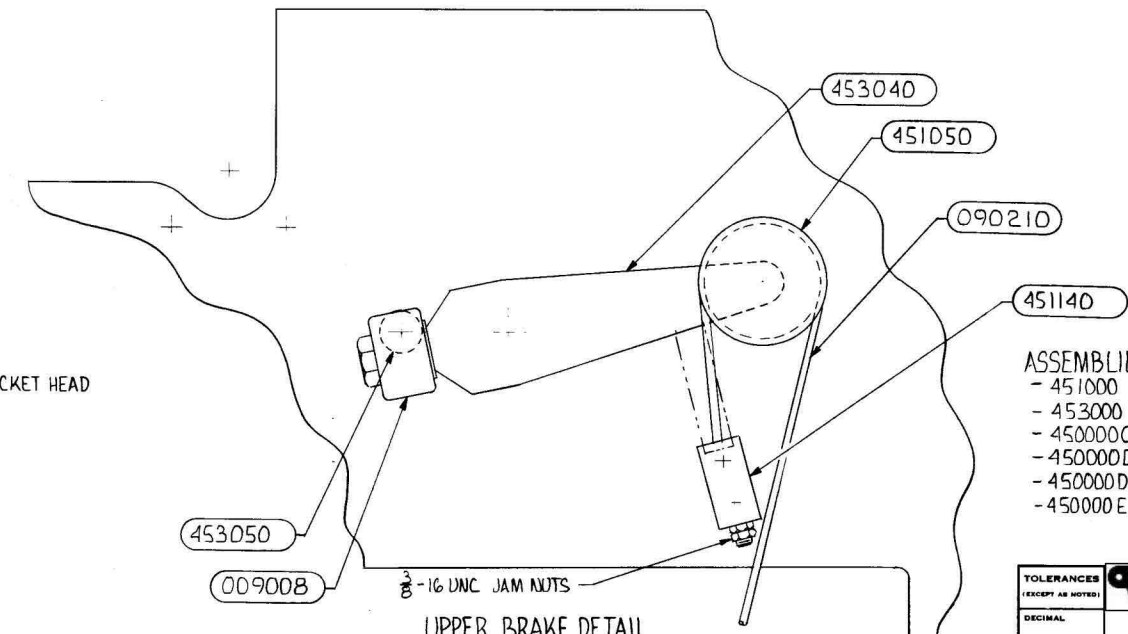
WEB LEADER ROLLSTAND
ROLLSTAND – BRAKE TENSION SYSTEM 453000

PART NO.	DESCRIPTION	QTY. REQ'D
413540	BRAKE PAD ASSEMBLY	4
453010	BRACKET, BRAKE CALIPER	2
011013	BUSHING, 1" ID X 1-1/4" OD X 1" LONG	4
453020	PLATE, BRAKE PAD RETAINER	4
453030	POST, LEVER SUPPORT	2
453040	LEVER, BRAKE ACTUATING	2
453050	BRAKE ROD	2
453060	BEARING SPACER	2
453090	BRAKE STUD	2
002003	BEARING, 1.5 ID X 1.75 X 1.25 INR RA1C	4
453100	BRAKE DISC ASSEMBLY	2
453070	BRAKE GEAR	2
067004	SPUR GEAR, 20T X 4" PD	2
453080	BEARING SPACER	2
413141	ROTER BRAKE	2
002002	BEARING, 1.75 ID X 2.3125 OD X 1 "	4
453120	PHENOLIC WASHER	2
001019	BEARING, .6693 ID X 1.8504 OD	4
009008	CAM YOKE FOLLOWER 2" OD	2
020004	TENSION SPRING, 5/16 X .045 X 4" LONG	2
020001	TENSION SPRING, 5/16 X .026 X 1-1/2"	4
021013	COMPRESSION SPRING 5/8" OD X 3" LONG	2
024002	WASHER, 1" X 1/2" X .035 THICK	2
035033	SHOULDER SCREW 3/8" X 1"	2

DATE	REVISION	BY	CHK.



SECTION A-A
LOWER BRAKE DETAIL



UPPER BRAKE DETAIL

- ASSEMBLIES INCLUDED
- 451000 TWO POSITION MAIN FRAMES
 - 453000 BRAKE TENSION SYSTEM
 - 450000C WPC. ROLLSHAFT
 - 450000D MOHAWK CHUCK - STD.
 - 450000D1 MOHAWK CHUCK - REV.
 - 450000E DOUBLE E CHUCK

TOLERANCES (EXCEPT AS NOTED)	SCALE	TITLE	DATE	DRAWING NUMBER
DECIMAL		TWO POSITION R.S. - BRAKE TENSION	3-26-93	SHT. 3 OF 3 450000 - 453000
FRACTIONAL				
ANGULAR				

WebPress
Revolutionary™

Web Leader

Rollstand

Guards

**WEB LEADER ROLLSTAND
ROLLSTAND – STANDARD BRAKE GUARD 450000A**

PART NO.	DESCRIPTION	QTY. REQ'D
411370	HOLD DOWN BRACKET, LEFT	4
451160	BRAKE GUARD	2

ROLLSTAND – CE GUARDS 454000A / 455000C1

PART NO.	DESCRIPTION	QTY. REQ'D
517630	SPACER, 1/8" X 1" PLASTIC	2
517640	SPACER, 1/8" X 1-7/16"	2
041091	PROXIMITY SWITCH	2
453140	BRACKET, MICRO-SWITCH MOUNT	2

ROLLSTAND – CE GUARDS WITH ELECTRIC BRAKES 454000A1

PART NO.	DESCRIPTION	QTY. REQ'D
041091	PROXIMITY SWITCH	2
517630	SPACER, 1/8" X 1" PLASTIC	2
517640	SPACER, 1/8" X 1-7/16"	2

ROLLSTAND – OPTION: STANDARD BRAKE GUARD 450000A

PART NO.	DESCRIPTION	QTY. REQ'D
411370	HOLD DOWN BRACKET, LEFT	4
451160	BRAKE GUARD	2

WordPress
Revolutionary™

Web Leader

Fifth Position

Rollstand

**WEB LEADER ROLLSTAND
5TH POSITION ROLLSTAND 455000**

PART NO.	DESCRIPTION	QTY. REQ'D
411230	ECCENTRIC STUD	3
411240	SIDE ADJUST STUD	1
411270	SIDE ADJUST STOP	1
411281	LAG BOLT MOUNT (ROLLSTAND)	2
411350	HANDWHEEL SIDE ADJUSTMENT ASSEMBLY	1
411260	SIDE ADJUST HANDWHEEL	1
411250	SIDE ADJUSTMENT HUB	1
001004	BEARING, 1.1811 ID X 2.4409 OD	1
030008	SNAP RING, 1.098 SD	1
411370	HOLD DOWN BRACKET LEFT	2
451060	STIFFENER SHAFT	2
451190	ROLLSTAND PADS	2
451040	UPPER STIFFENER	1
455010	SIDE FRAME FIFTH POSITION	2
511260	LEVELING BOLT	2
511490	ROLLER CORE	2
090114	SERIAL NUMBER IDENTIFICATION PLATE	1
001054	BEARING, ER-16X	4
009008	CAM YOKE FOLLOWER 2" OD	4
009009	CAM YOKE FOLLOWER 1-3/8"	2
011002	OILITE BUSHING 3/4" X 1" X 1-1/2"	1
030005	SNAP RING 3/4 EXT	1
031009	ROLL PIN 3/8" X 1-3/4"	8
031026	ROLL PIN 3/16 X 1-1/2"	1
035008	SHOULDER SCREW 1/2" X 5/8"	2
035013	SWING BOLT, 3/8-16 X 3-3/4"	2
035014	SHOULDER SCREW 3/8" X 3/8"	2

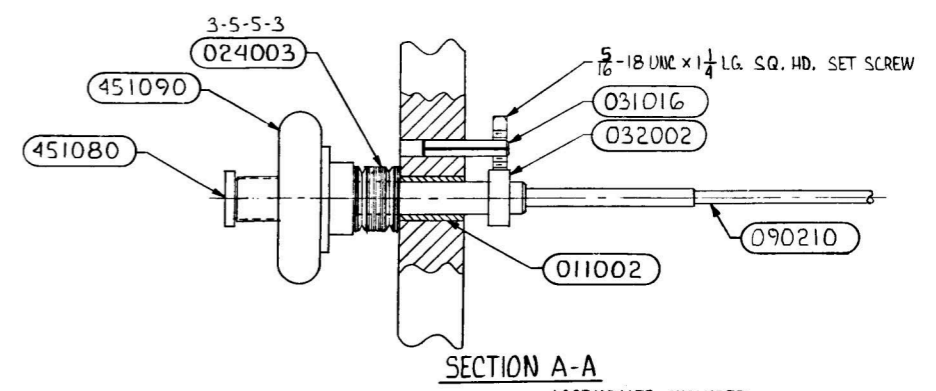
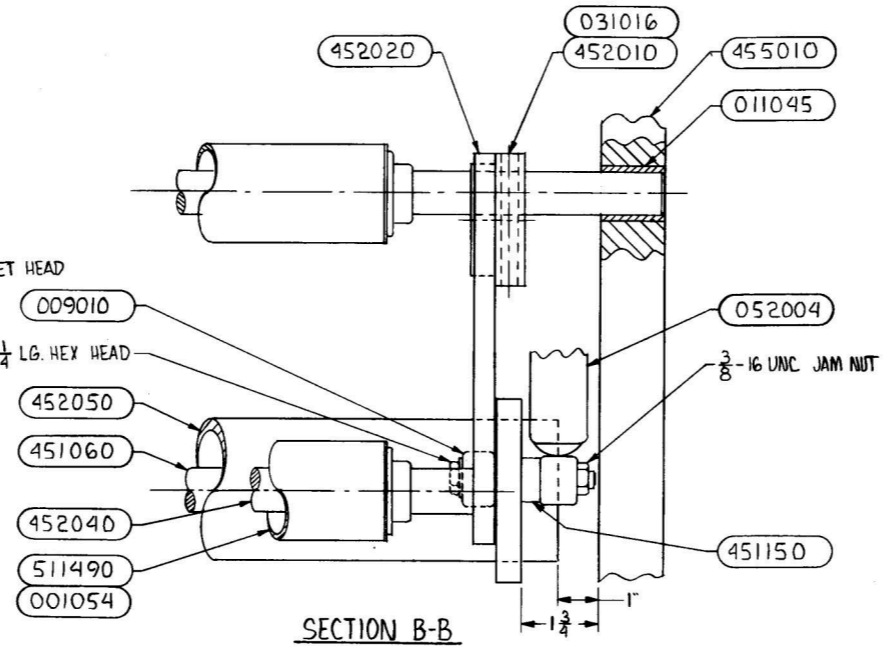
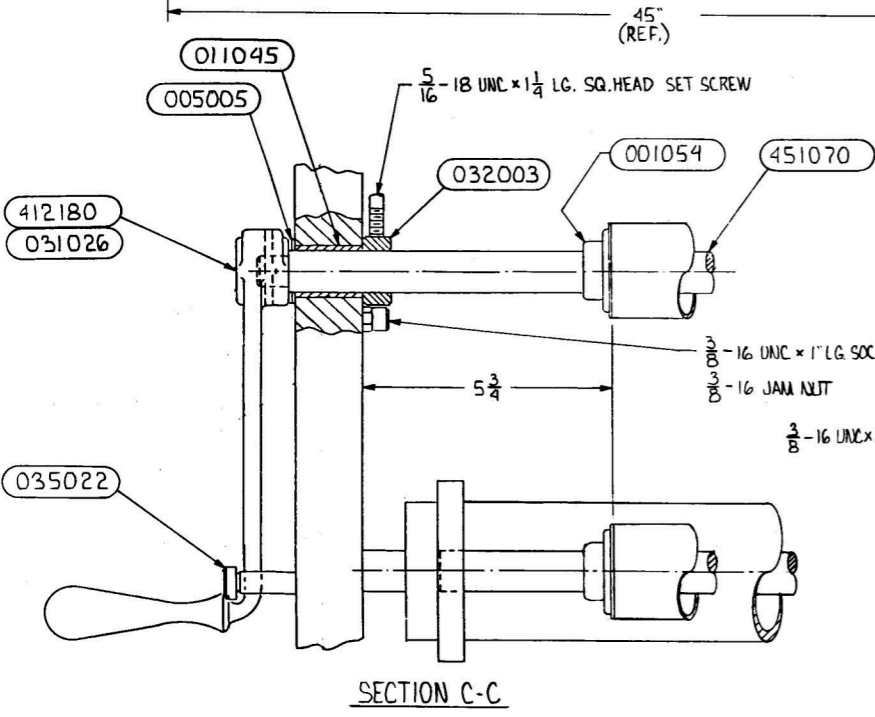
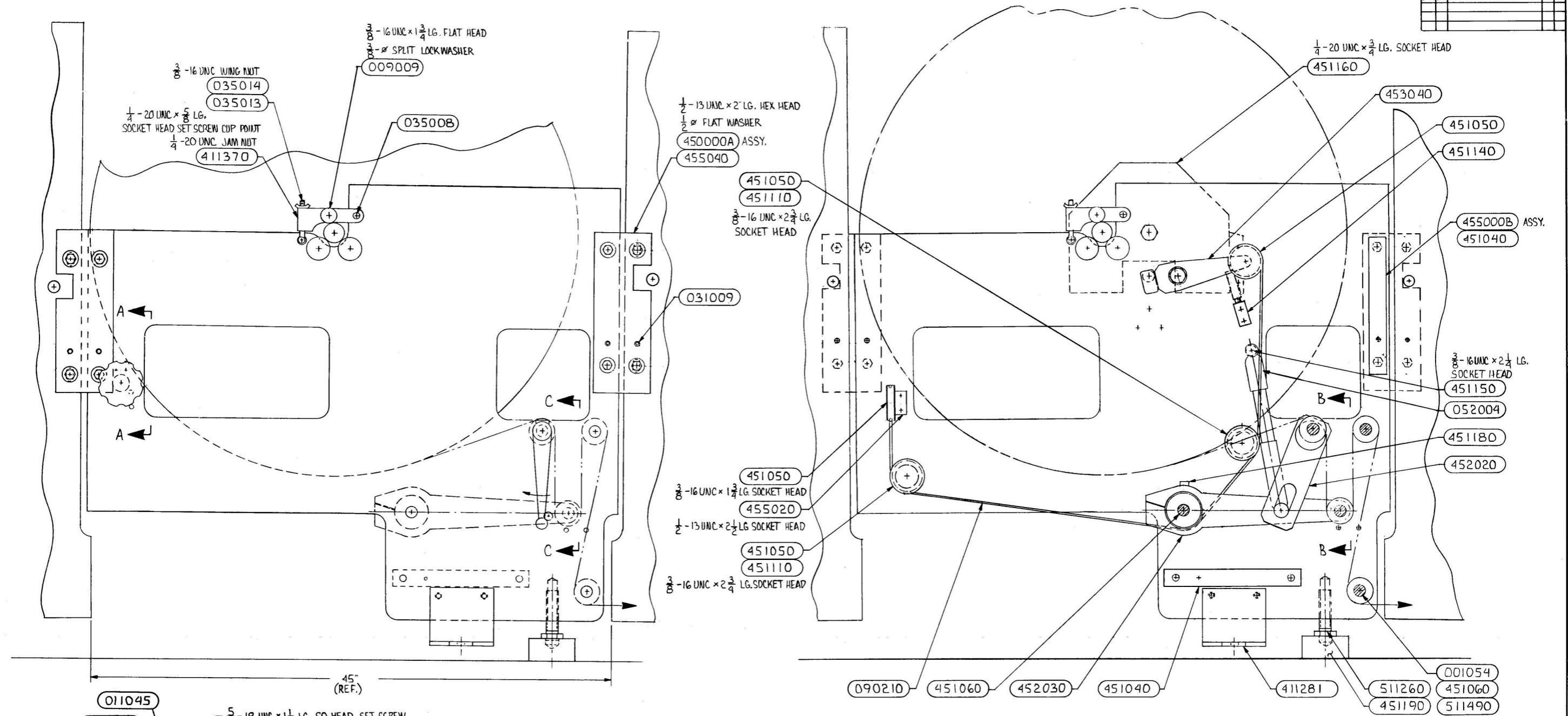
**WEB LEADER ROLLSTAND
STANDARD 5TH POSITION ROLLSTAND 455000D1**

PART NO.	DESCRIPTION	QTY. REQ'D
412180	HANDLE, DANCER THROW-OFF	1
413540	BRAKE PAD ASSEMBLY	2
451050	WIRE ROPE PULLEY	4
009010	CAM FOLLOWER 1-1/4" OD	4
451060	STIFFENER, SHAFT	1
451070	THROW-OFF SHAFT	1
451080	TENSION ADJUSTMENT ROD	1
451090	HANDWHEEL, TENSION ADJUSTMENT	1
451110	SPACER, UPPER BRAKE PULLEY	2
451140	CABLE BLOCK, BRAKE LEVER	1
451150	SPACER, SHOCK ABSORBER	2
451160	BRAKE GUARD	1
451180	CABLE CLAMP	1
452010	ECCENTRIC THROW-OFF	1
452020	THROW-OFF LINK	1
452030	DANCER ROLL ARM	2
070073	DANCER ROLL ARM	2
452040	STIFFENER DANCER ROLL SHAFT	1
452050	DANCER ROLLER ASSEMBLY	1
452060	TUBE	1
412320	PLUG	2
453010	BRAKE CALIPER BRACKET	1
011013	BUSHING, 1" ID X 1-1/4" OD X 1" LONG	2
453020	BRAKE PAD RETAINER PLATE	2
453030	LEVER SUPPORT POST	1
453040	BRAKE ACTUATING LEVER	1
453050	BRAKE ROD	1
453060	BEARING SPACER	1
453090	BRAKE STUD	1
002003	BEARING, 1.5 ID X 1.75 ID X 1.25 INR	2

WEB LEADER ROLLSTAND
STANDARD 5th POSITON ROLLSTAND 455000D1 CONTINUED

PART NO.	DESCRIPTION	QTY. REQ'D
453100	BRAKE DISC ASSEMBLY	1
453070	BRAKE GEAR	1
453080	BEARING SPACER	1
413141	ROTOR BRAKE	1
002002	BEARING, 1/75 ID X 2.3125 OD X 1" NDL	2
453110	PHENOLIC WASHER	1
453120	PHENOLIC WASHER	1
455020	BLOCK	1
511490	ROLLER CORE	2
001054	BEARING, ER-16X	6
001019	BEARING, .6693 ID X 1.8504 OD	2
009008	CAM YOKE FOLLOWER 2" OD	1
009010	CAM FOLLOWER 1-1/4" OD	1
011045	OILITE BUSHING, 1" X 1-1/4" X 1-1/2"	3
020001	TENSION SPRING, 5/16 X .026 X 1-1/2" LONG	2
021013	COMPRESSION SPRING 5/8" OD X 3" LONG	1
024003	WASHER, 1-1/2" X 3/4" X .045 THICK	36
024002	WASHER, 1" X 1/2" X .035 THICK	1
020004	TENSION SPRING, 5/16" X .045 X 4" LONG	1
031016	ROLL PIN 3/8" X 3"	3
032002	SET COLLAR, 3/4" X 1-1/4"	1
032003	SET COLLAR, 1" X 1-5/8"	2
035022	SHOULDER SCREW 1/2" X 1-1/2"	1
035033	SHOULDER SCREW, 3/8" X 1"	1
052004	SHOCK ABSORBER	1
053008	FITTING, 1/4"-28	1
090210	UPPER CABLE ASSEMBLY	1

DATE	BY	REVISION RECORD	DR.	CHK.

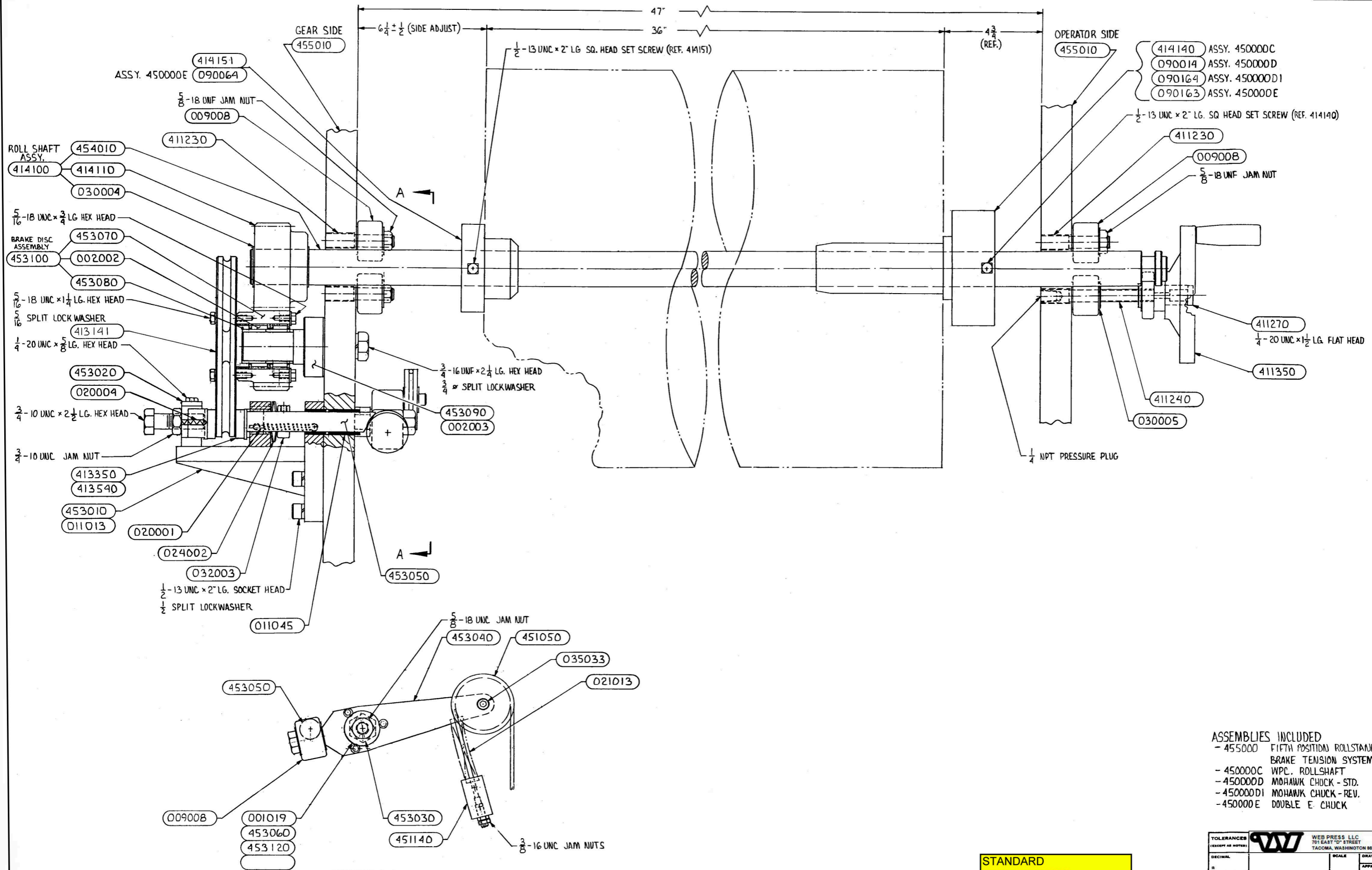


STANDARD FIFTH POSITION ROLLSTAND

ASSEMBLIES INCLUDED:
 455000 A FIFTH POSITION ROLLSTAND
 455000 B THIRD POSITION ROLLSTAND
 455000 B1 THIRD POSITION FREESTANDING

TOLERANCES (EXCEPT AS NOTED)		WEB PRESS LLC 701 EAST "D" STREET TACOMA, WASHINGTON 98401	
DECIMAL	SCALE	TITLE	APPROVED BY
FRACTIONAL	SCALE	FIFTH POSITION ROLLSTAND	
ANGULAR	SCALE	DATE	DRAWING NUMBER
		4-6-93	SHT 1 of 2
			455000

DATE	BY	REVISION	RECORD	DR.



- ASSEMBLIES INCLUDED
- 455000 FIFTH POSITION ROLLSTAND BRAKE TENSION SYSTEM
 - 450000C WPC. ROLLSHAFT
 - 450000D MOHAWK CHUCK - STD.
 - 450000DI MOHAWK CHUCK - REV.
 - 450000E DOUBLE E. CHUCK

SECTION A-A

STANDARD
FIFTH POSITION
ROLLSTAND

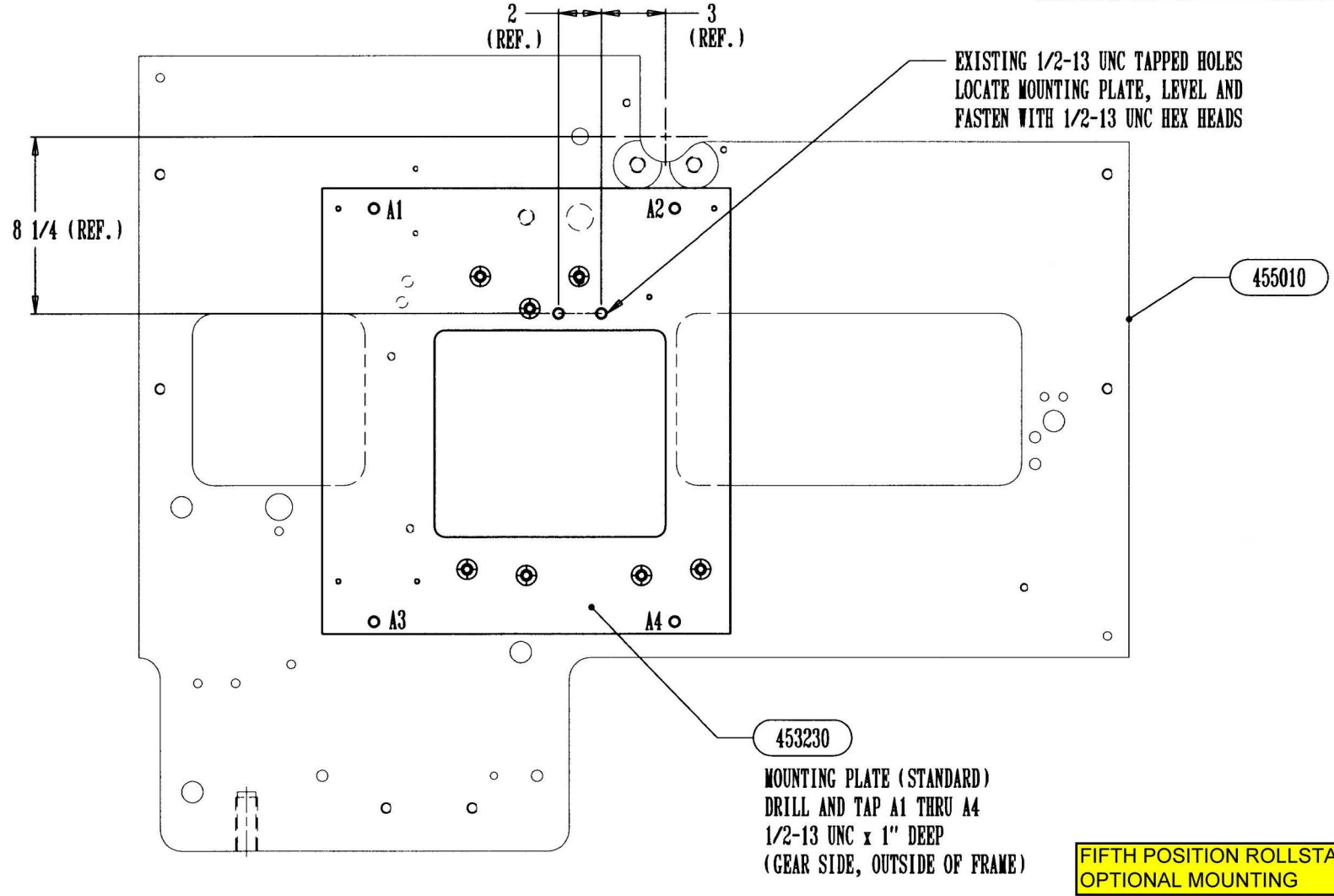
TOLERANCES (EXCEPT AS NOTED)		WEB PRESS, LLC 701 EAST 32 ND STREET TACOMA, WASHINGTON 98421	
DECIMAL	±	SCALE	DRAWN BY WEN
FRACTIONAL	±	TITLE	FIFTH POSITION ROLLSTAND
ANGULAR	±	DATE	4-8-93
		DRAWING NUMBER	SHT 2 of 2
			455000

WEB LEADER ROLLSTAND

OPTIONAL: 5TH POSITION ROLLSTAND – BALDOR MOTOR 455000D2

PART NO.	DESCRIPTION	QTY. REQ'D
040409	5HP BALDOR MOTOR	1
453160	MOUNTING, GEAR BOX	1
453150	MOUNTING, 5HP BALDOR MOTOR	1
067084	1-1/4" BORE WITH KEYWAY GEAR	1
453180	HATCH GUARD	1
453210	TOP GUARD	1
090427	BUMPERS	2
067064	GEAR BOX, MODEL 66 1.53:1 RATIO	1
061148	PULLEY (40H150 SK)	1
062071	BUSHING SK 1-1/14"	1
060112	BUSHING, 1/2"P X 1/2"W X 39" LONG	1
061149	PULLEY 20H150	1
453260	IDLER ASSEMBLY	1
453220	IDLER GEAR PIN	1
002003	BEARING, 1.5 ID X 1.75 OD X 1.25 INR RA1C	2
002042	ROLLER BEARING	2
453070	BRAKE GEAR	1
053001	LUBE FITTING 1/4-28	1
473230	IDLER GEAR END CAP	1
453190	GUARD, BASE STANDARD	1

DATE	SYN	REVISION RECORD	DR.	CK.
4/28/04	A	NEW RELEASE	WEN	



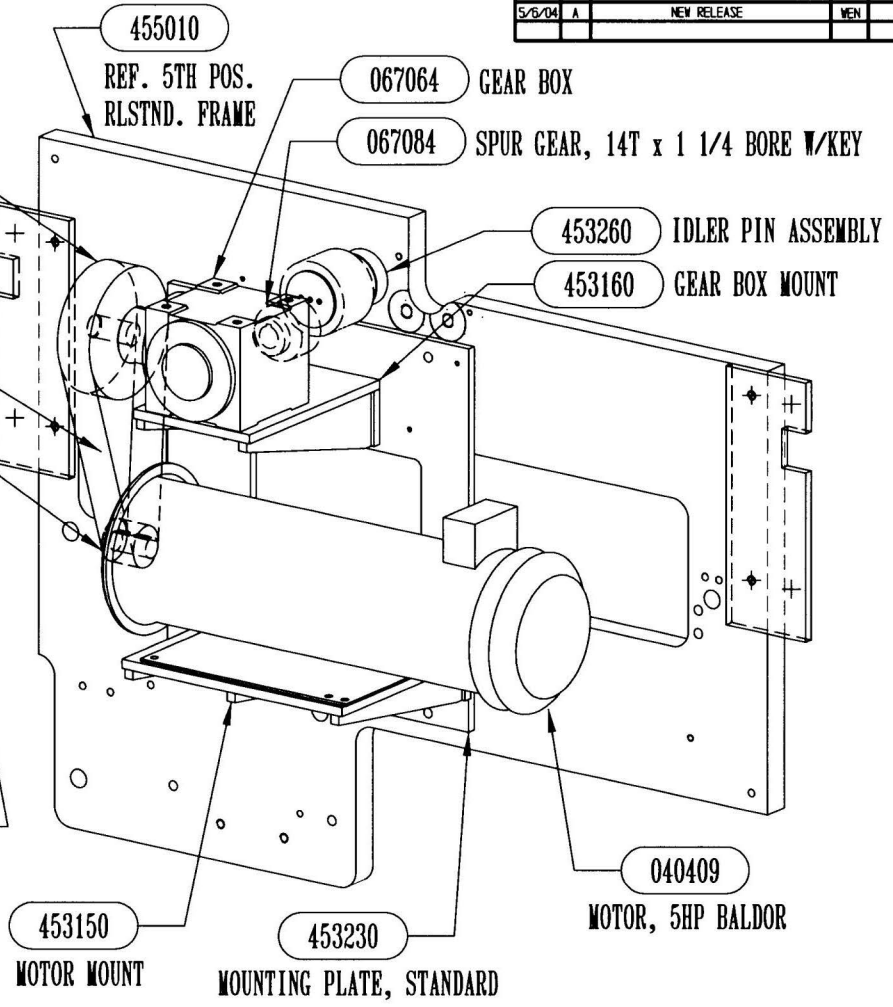
453230
MOUNTING PLATE (STANDARD)
 DRILL AND TAP A1 THRU A4
 1/2-13 UNC x 1" DEEP
 (GEAR SIDE, OUTSIDE OF FRAME)

**FIFTH POSITION ROLLSTAND
 OPTIONAL MOUNTING**

Web Press Corporation Proprietary Information <small>This document contains trade secrets protected by the Uniform Trade Secrets Act (RICH 18.00B). Do not reproduce, copy or disclose, in whole or in part, the information contained herein, or use it for any purpose except as expressly authorized in writing by Web Press Corporation. This document is to be returned to Web Press Corporation immediately following completion of the work for which you are authorized to have this document.</small>	TOLERANCES <small>(UNLESS OTHERWISE SPECIFIED)</small> FINISH .xx ± .01 .xxx ± .005 FUNCTIONAL ± 1/32 ANGULAR ± 1 Deg.		WEB PRESS LLC 701 EAST D ST., TACOMA, WA 98002	
	DRAWN BY V.E.N. APPROVED BY XXXXXXXXXXXX		TITLE 5TH POS. 5 H.P. RLSTND.	REF. MD-1576 SCALE XXXXXX

DATE	SYM	REVISION RECORD	DR.	CK.
5/6/04	A	NEW RELEASE	WEN	

- PULLEY, 40H150 SK (061148)
- BUSHING, SK-1 1/4 (062071)
- REF. ASSY. 45500D1
PLATE 5TH POS. MNT. (455040)
- BELT, 39H150 (060112)
- PULLEY, 20H150 (061149)



453180
HATCH

453190
GUARD, STANDARD

090427
BUMPER

453150
MOTOR MOUNT

453230
MOUNTING PLATE, STANDARD

040409
MOTOR, 5HP BALDOR

**FIFTH POSITION ROLLSTAND
OPTIONAL MOUNTING**

Web Press Corporation Proprietary Information
 This document contains trade secrets protected by the Uniform Trade Secrets Act (18 U.S.C. 1832). Do not reproduce, copy or disclose, in whole or in part. The information contained herein, or use it for any purpose except as expressly authorized in writing by Web Press Corporation. This document is to be returned to Web Press Corporation immediately following completion of the work for which you are authorized to have this document.

TOLERANCES (UNLESS OTHERWISE SPECIFIED)		WEB PRESS LLC 701 EAST D ST., TACOMA, WA 98002	
FRACTIONAL DECIMAL DIPLOMA MILS		TITLE 5TH POS. 5 H.P. RLSTND.	
± .01 ± .005 ± 1/32 ± .0001	DRAWN BY W.E.N.	REF. MD 1576	DATE 5-6-04
± 1 Deg.	APPROVED BY XXXXXXXXXXXX	DWG NO. 455000D2	REV - A



Web Leader Rollstand

Air Shafts, Hoists & Trolleys

WEB LEADER ROLLSTAND
ROLLSTAND – OPTION: TIDLAND AIR SHAFT 450000F1

PART NO.	DESCRIPTION	QTY. REQ'D
090313*	SHAFT INFLATION GUN	1
090130	AIR HOSE AND FITTINGS	1
454210	ROLL SHAFT (AIR)	3
414110	MILL ROLL SHAFT GEAR	3
090128	AIR SHAFT 450 BUTTON TYPE	3
030004	SNAP RING 1-3/4 ID	6

*Note: Quantities listed are for one Pressline

WEB LEADER ROLLSTAND
ROLLSTAND – OPTION: HARRINGTON HOOK, HOIST, & TROLLEY
450001G

PART NO.	DESCRIPTION	QTY. REQ'D
045011	1 TON HOIST & TROLLEY ASSEMBLY	1
045012	HARRINGTON HOIST	1
045013	HARRIINGTON TROLLEY	1
900461	ROLL HOOK	1